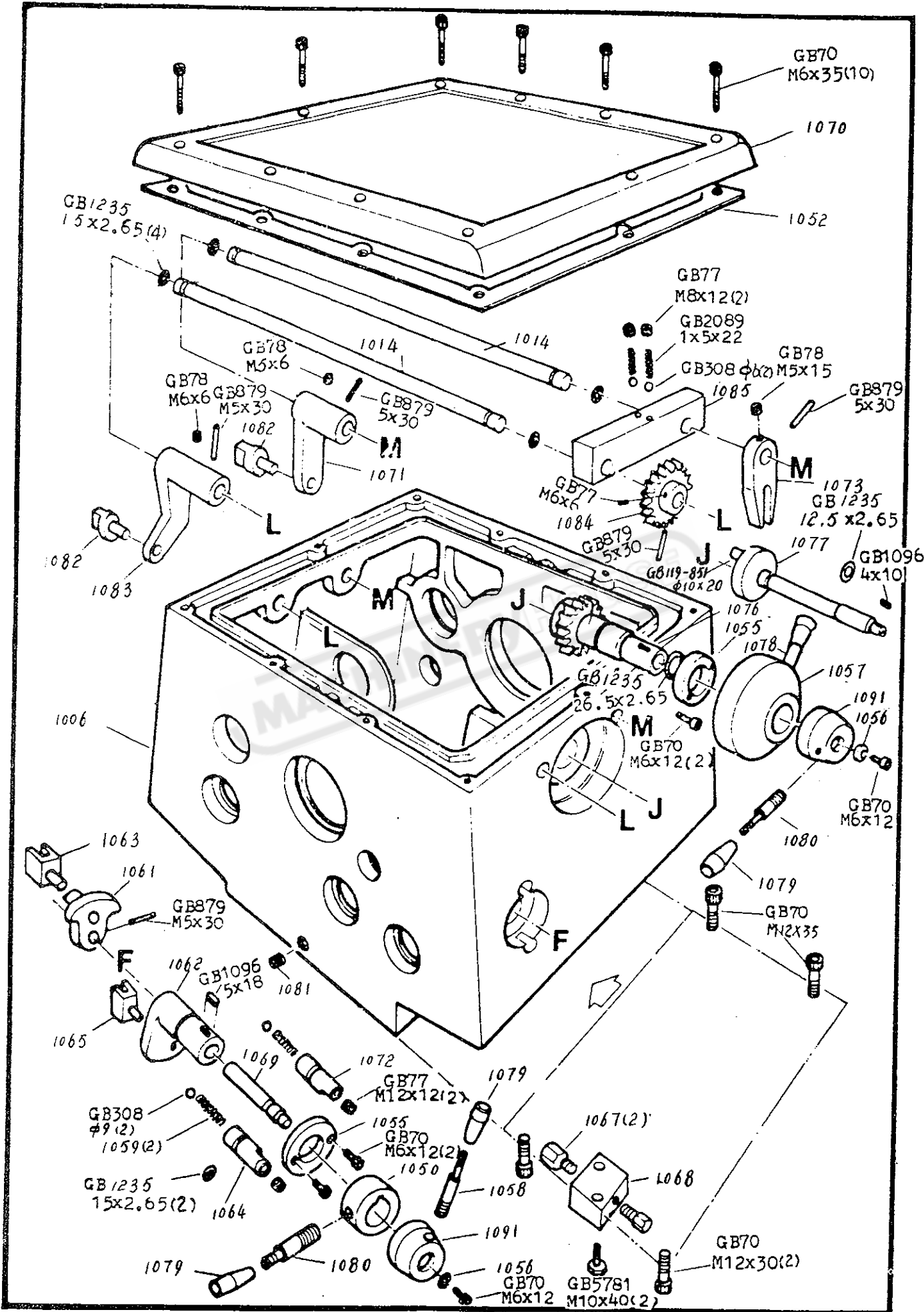
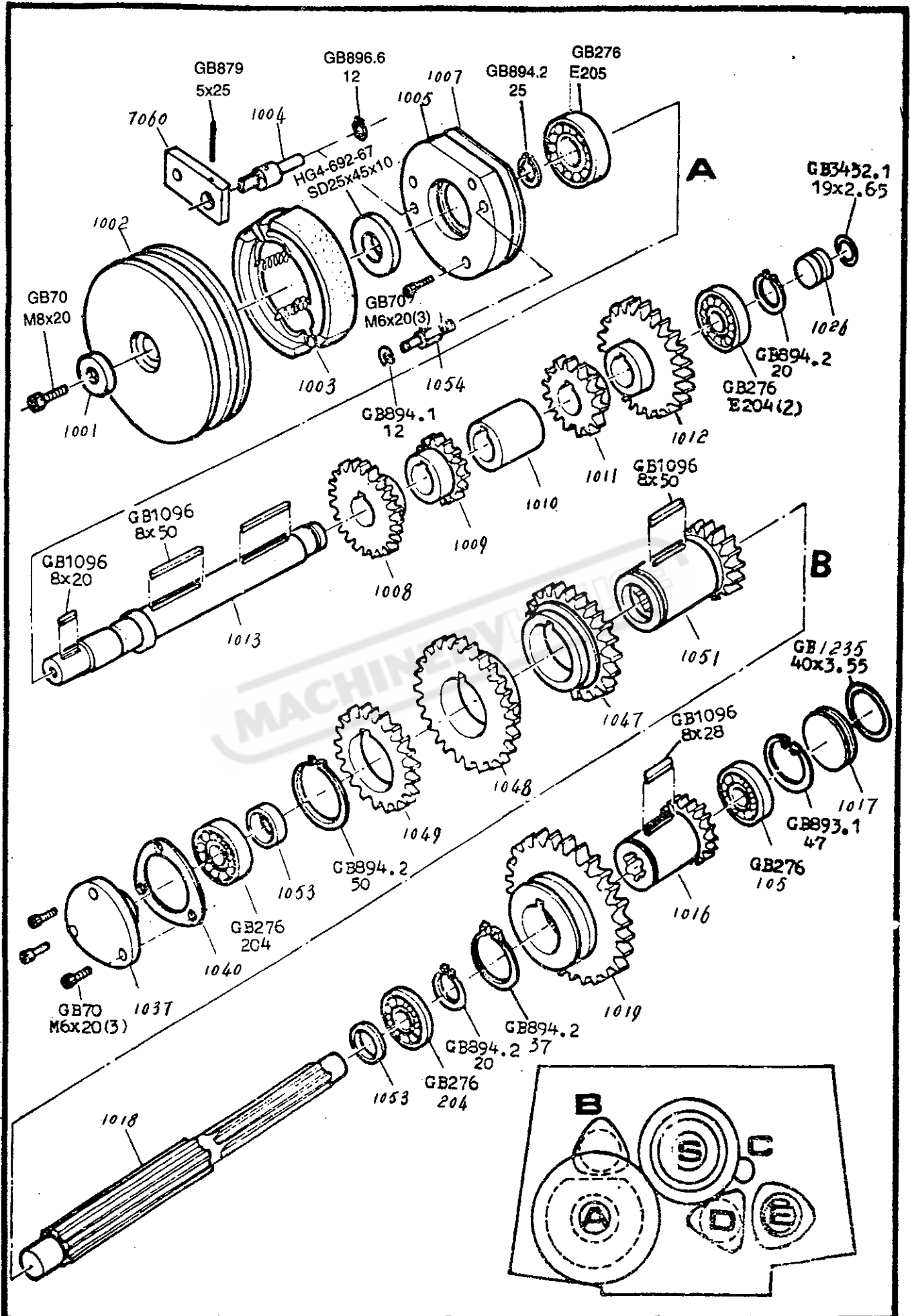


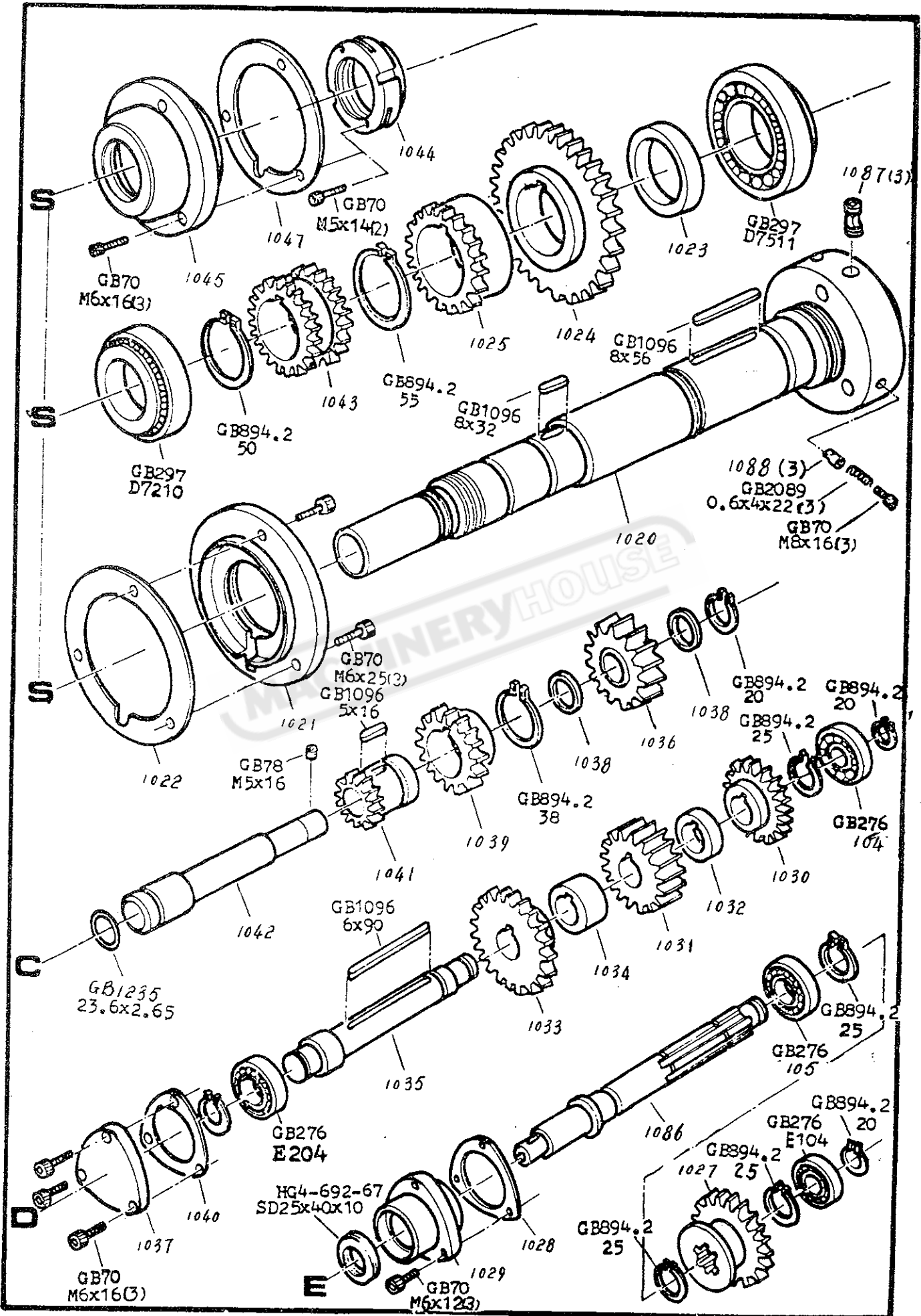
# HEADSTOCK



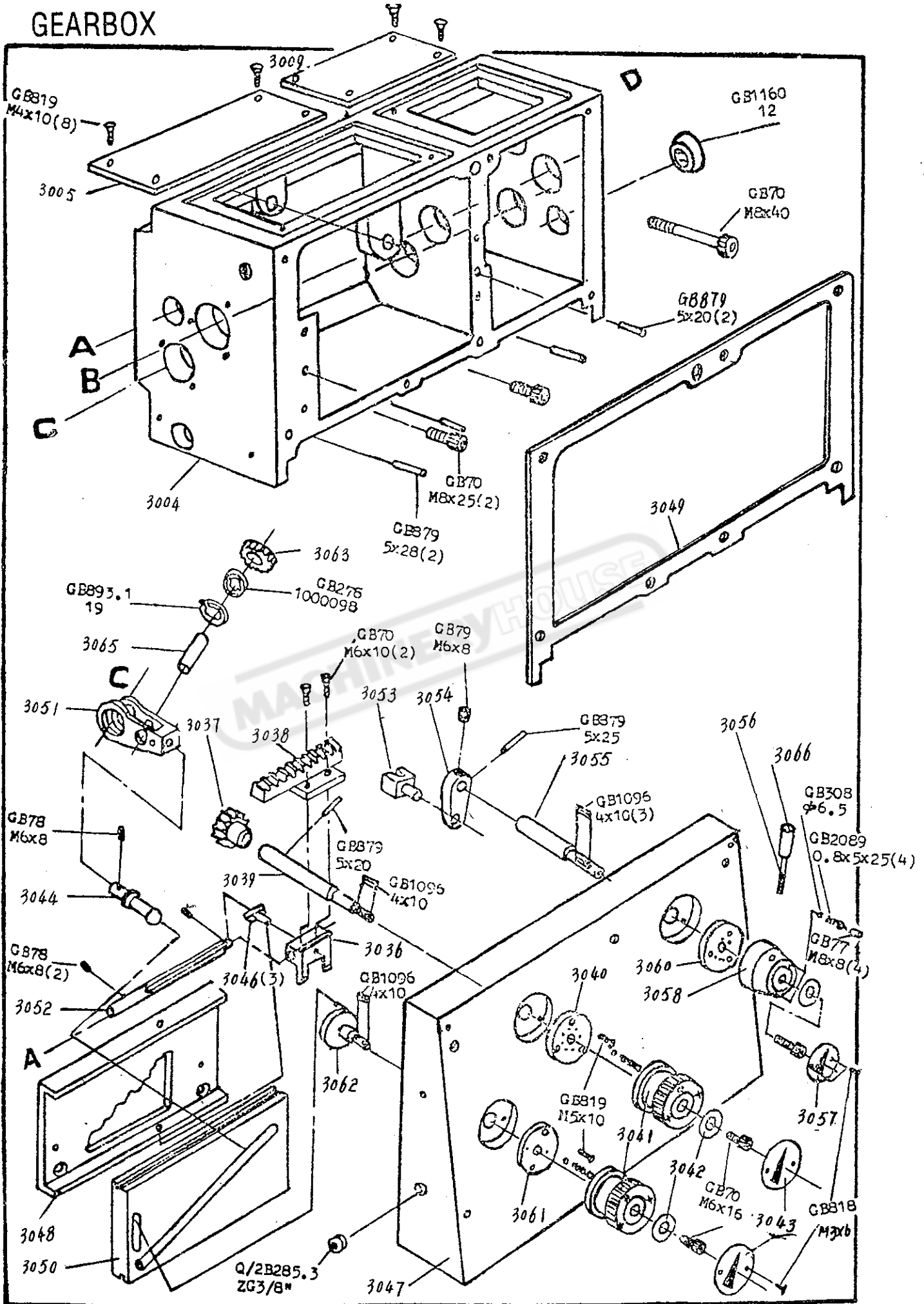
# HEADSTOCK



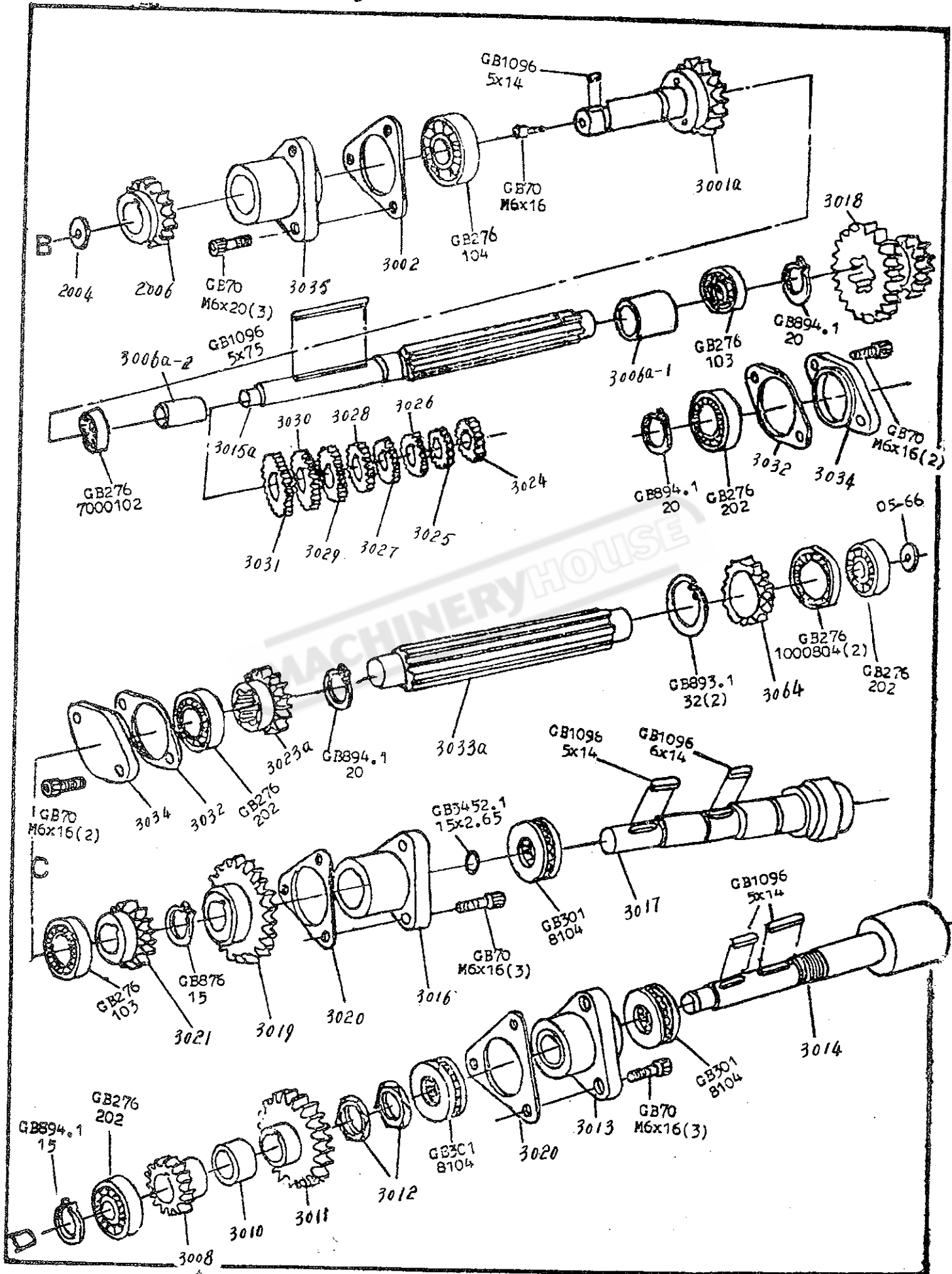
# HEADSTOCK



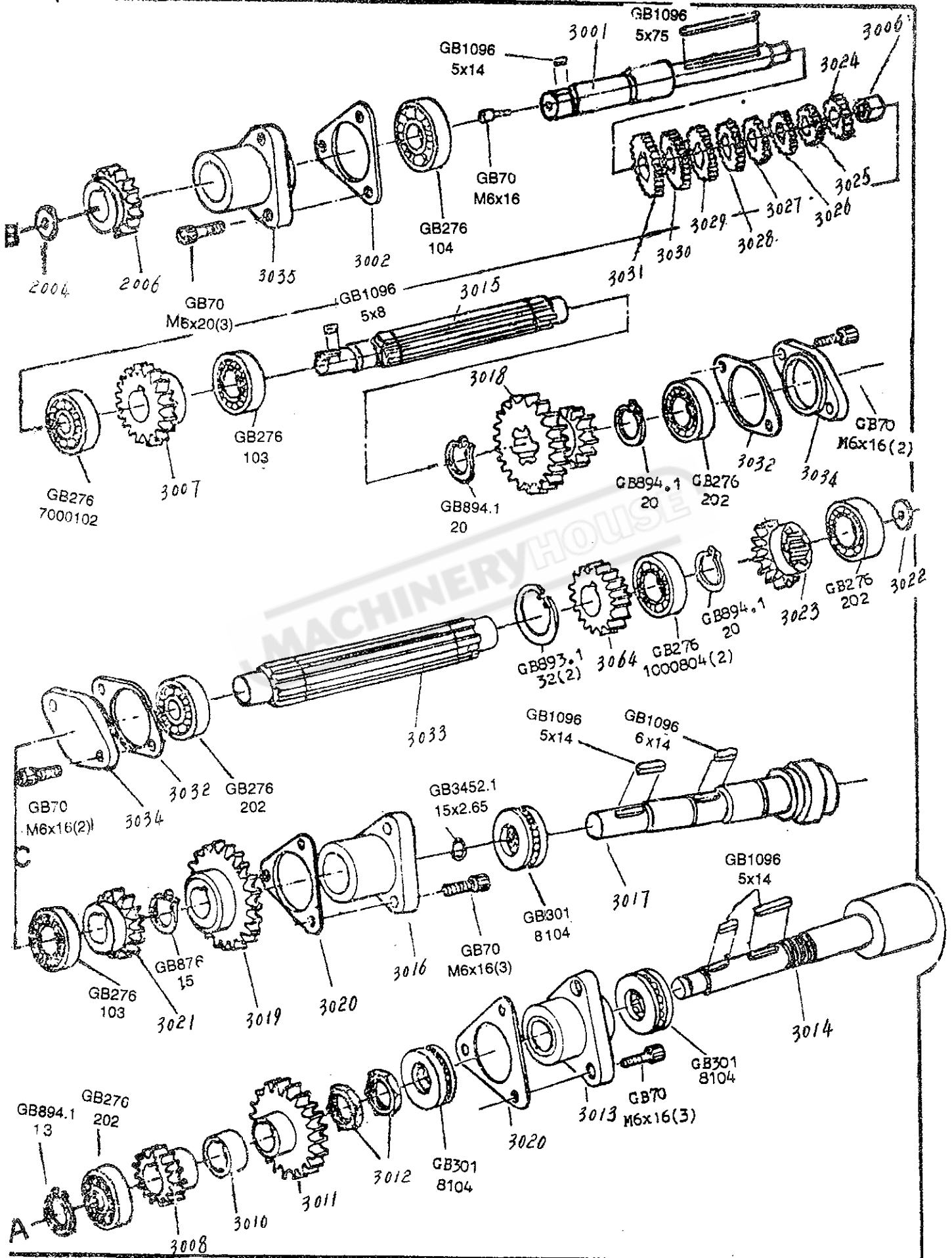
# GEARBOX



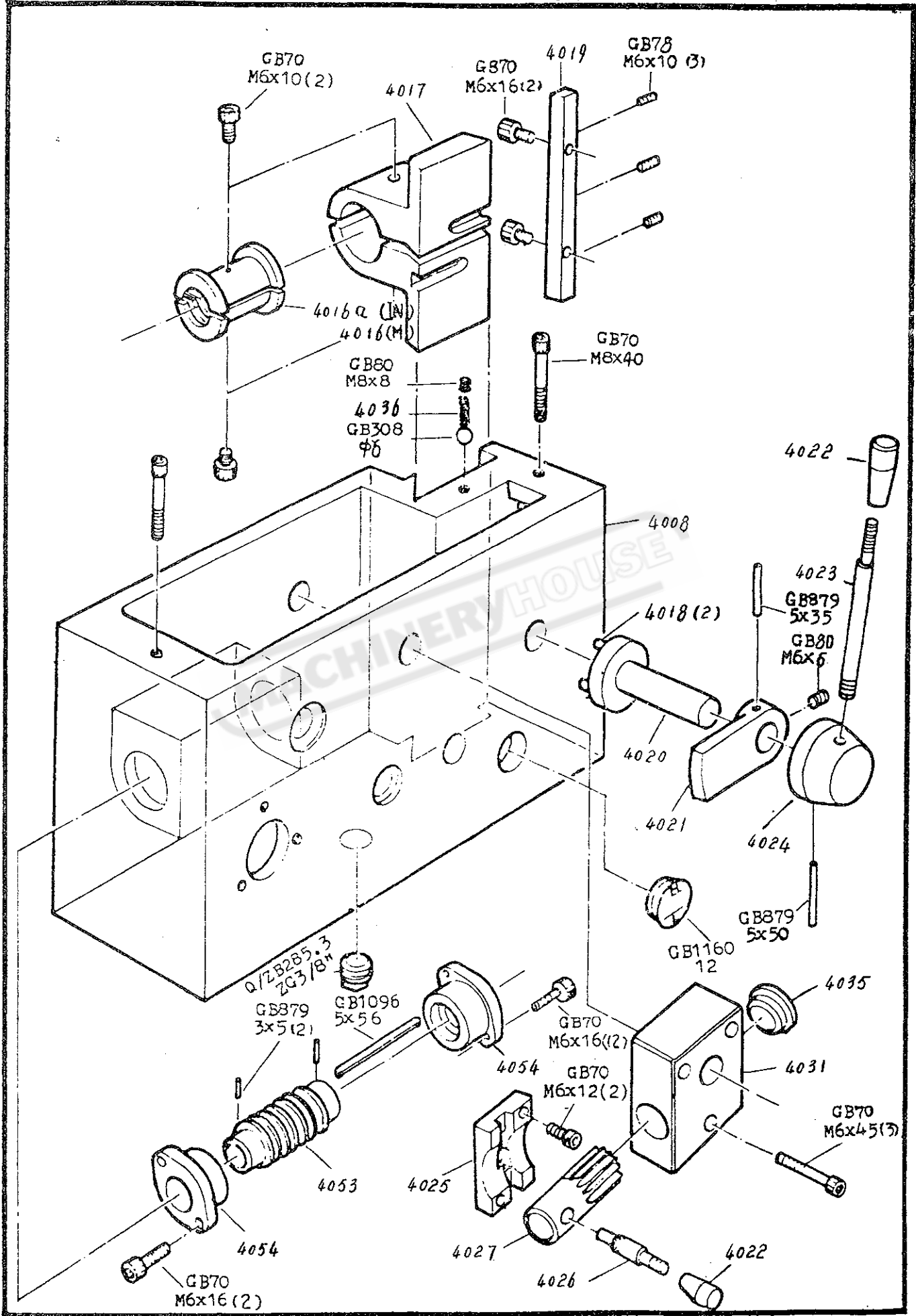
# GEARBOX Inch system



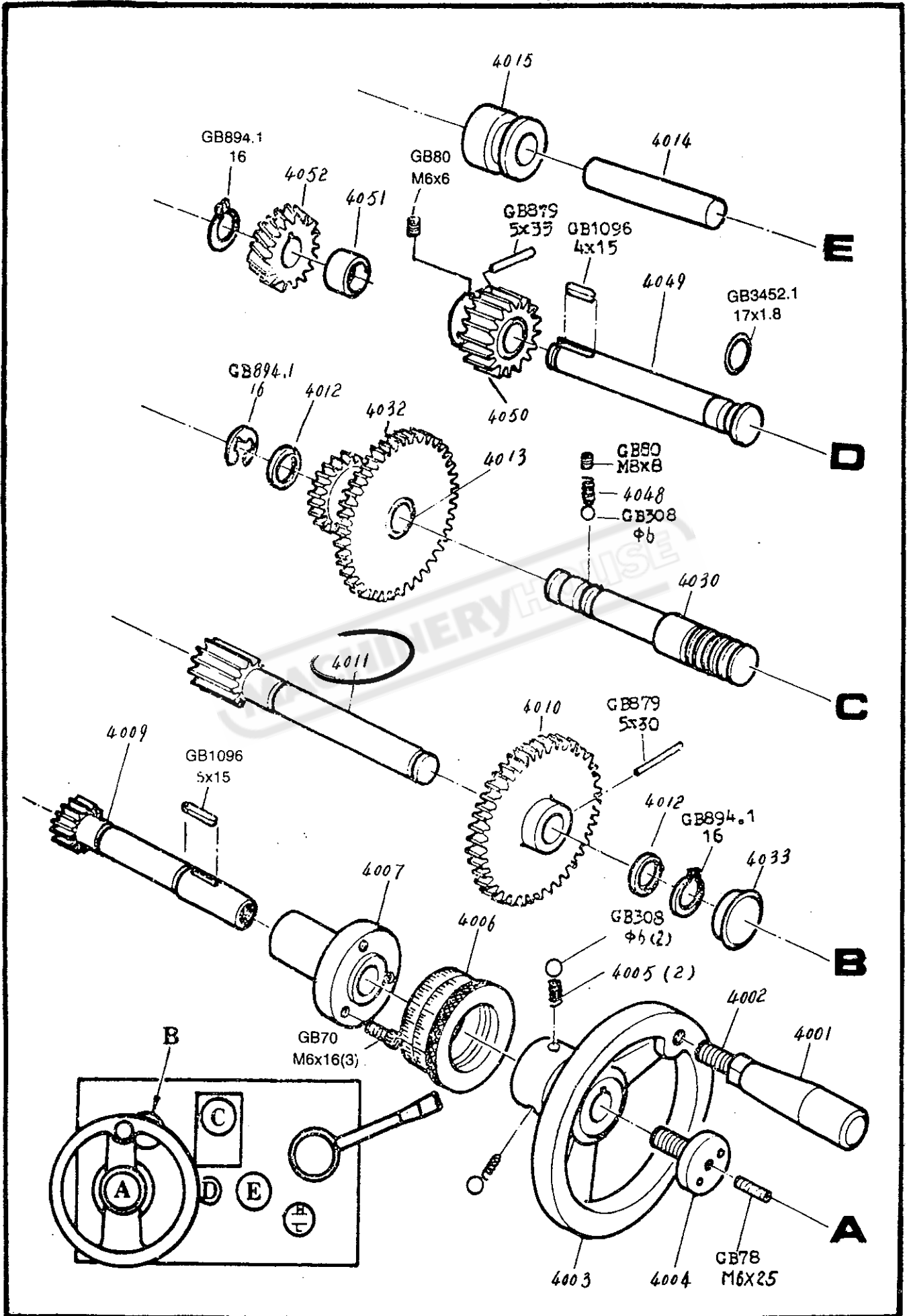
# GEARBOX Metrit system



# APRON Left hand, Lever type

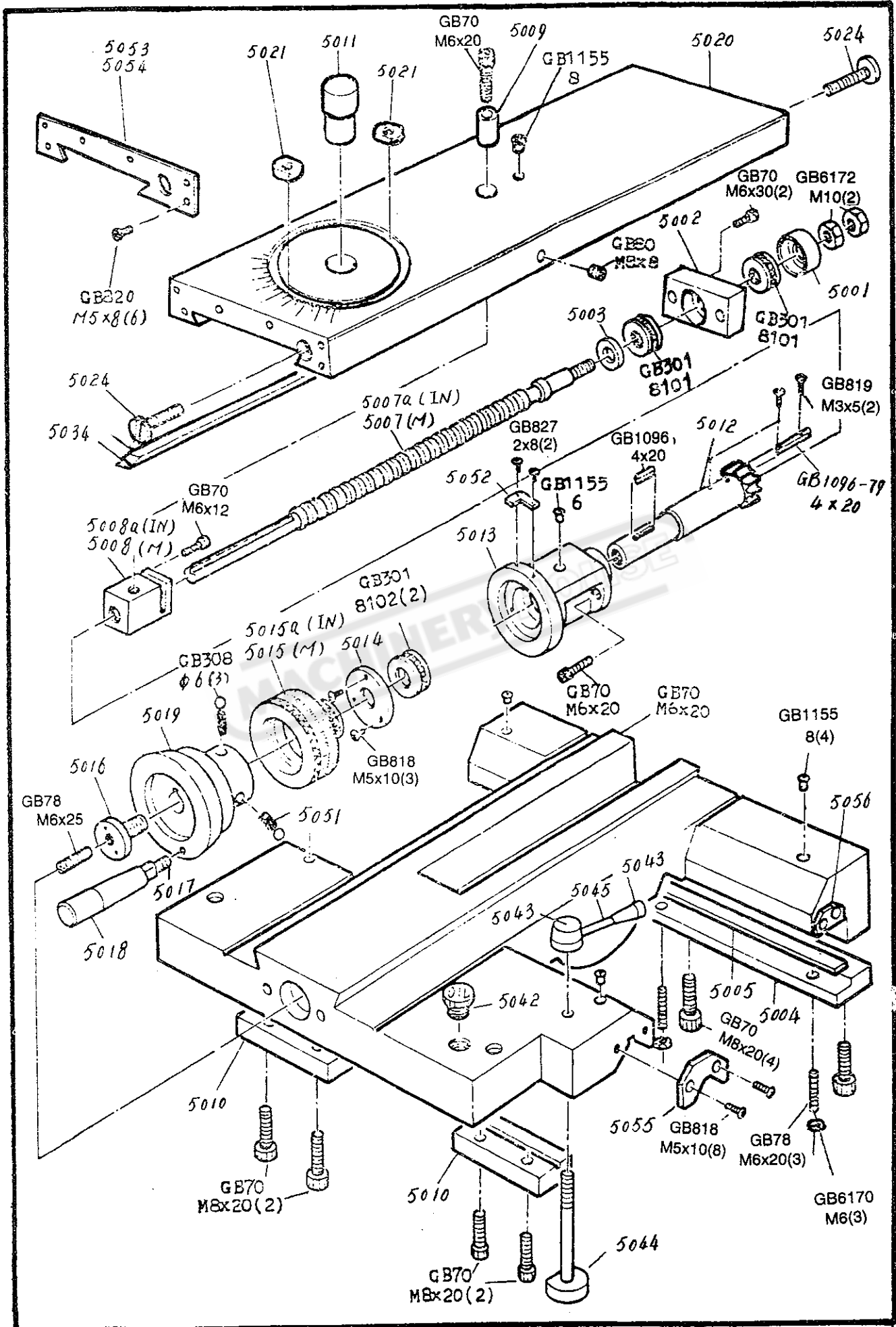


# APKUN Left hand, Lever type

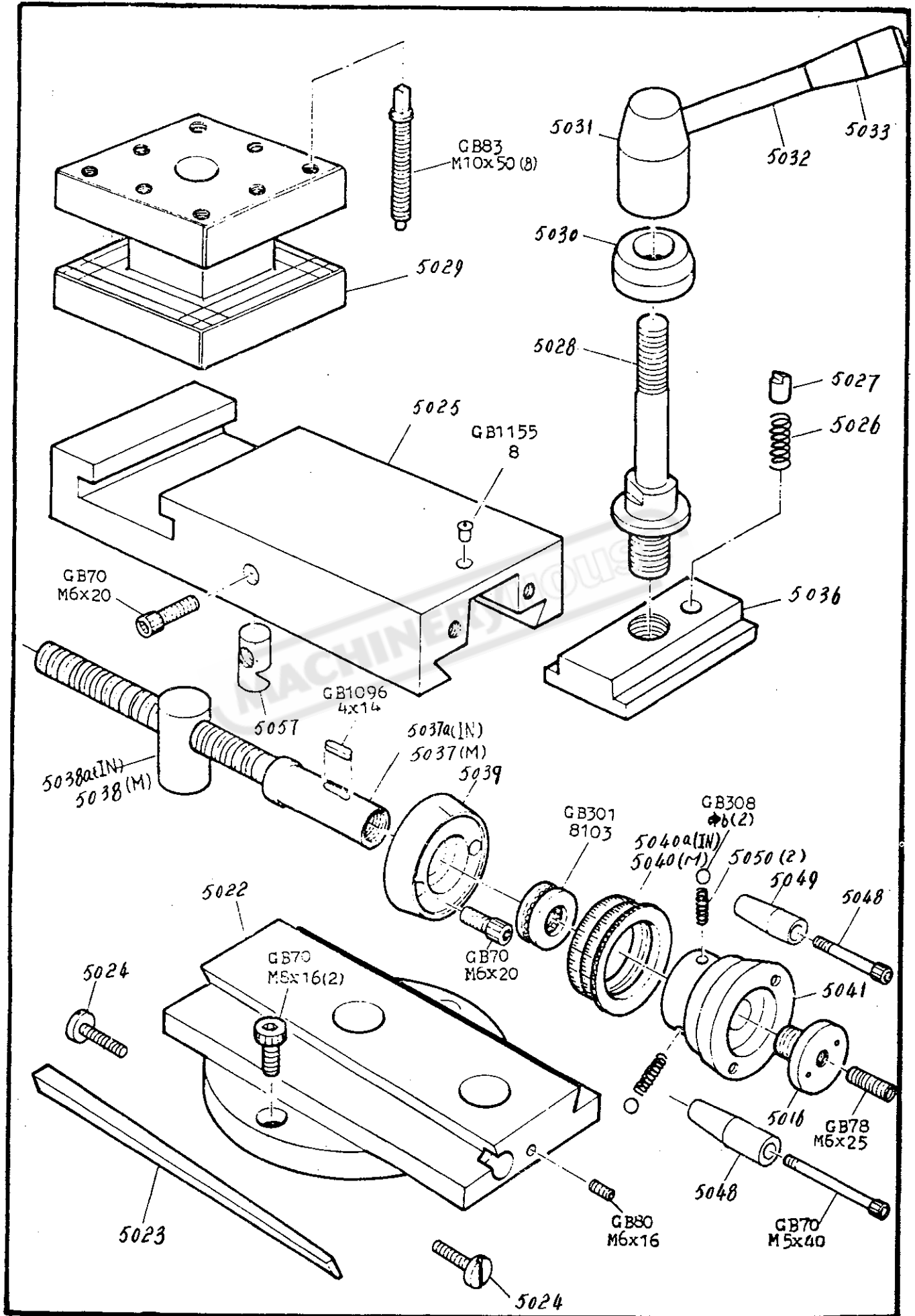




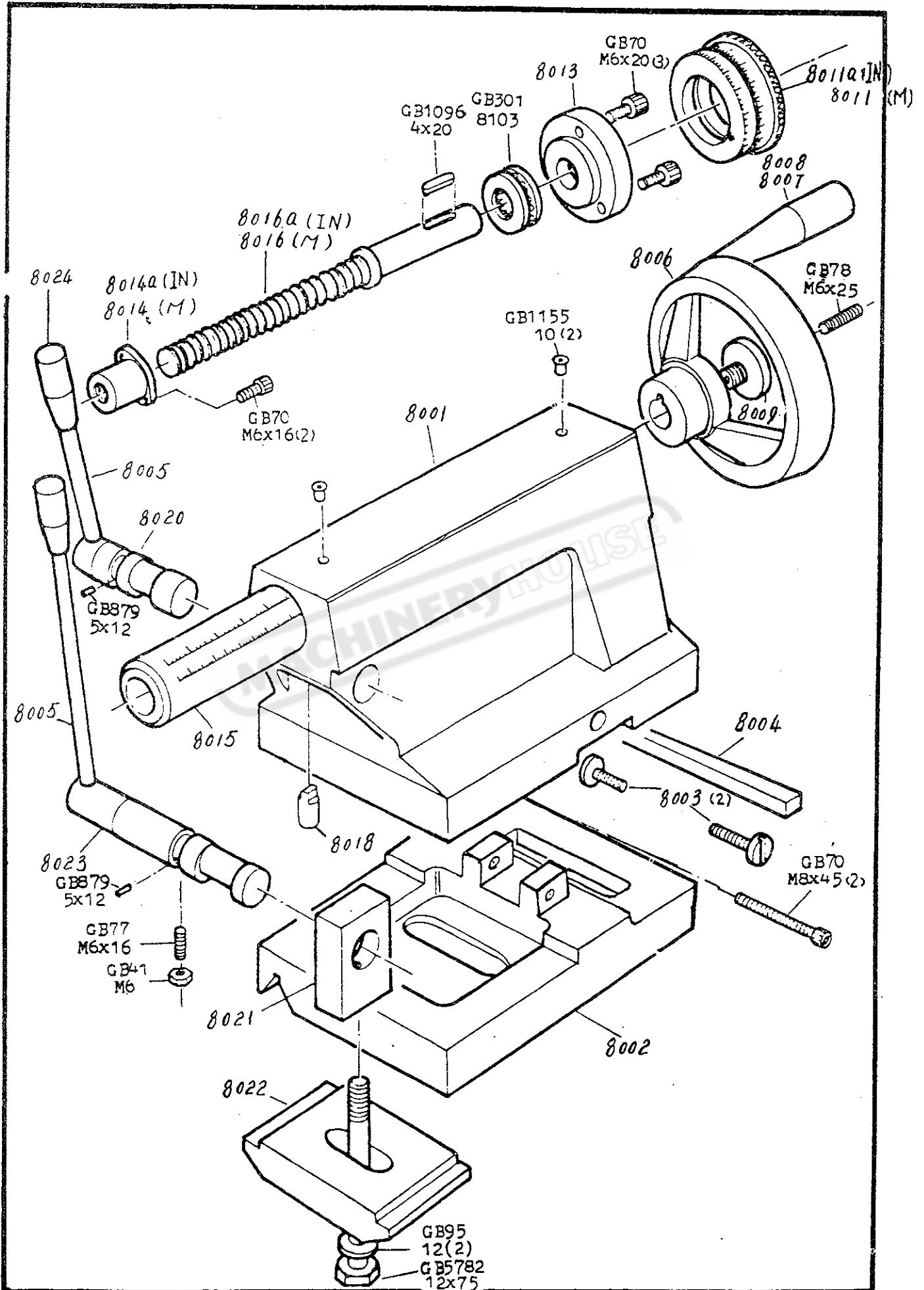
# SADDLE & CROSS-SLIDE Telescopic type



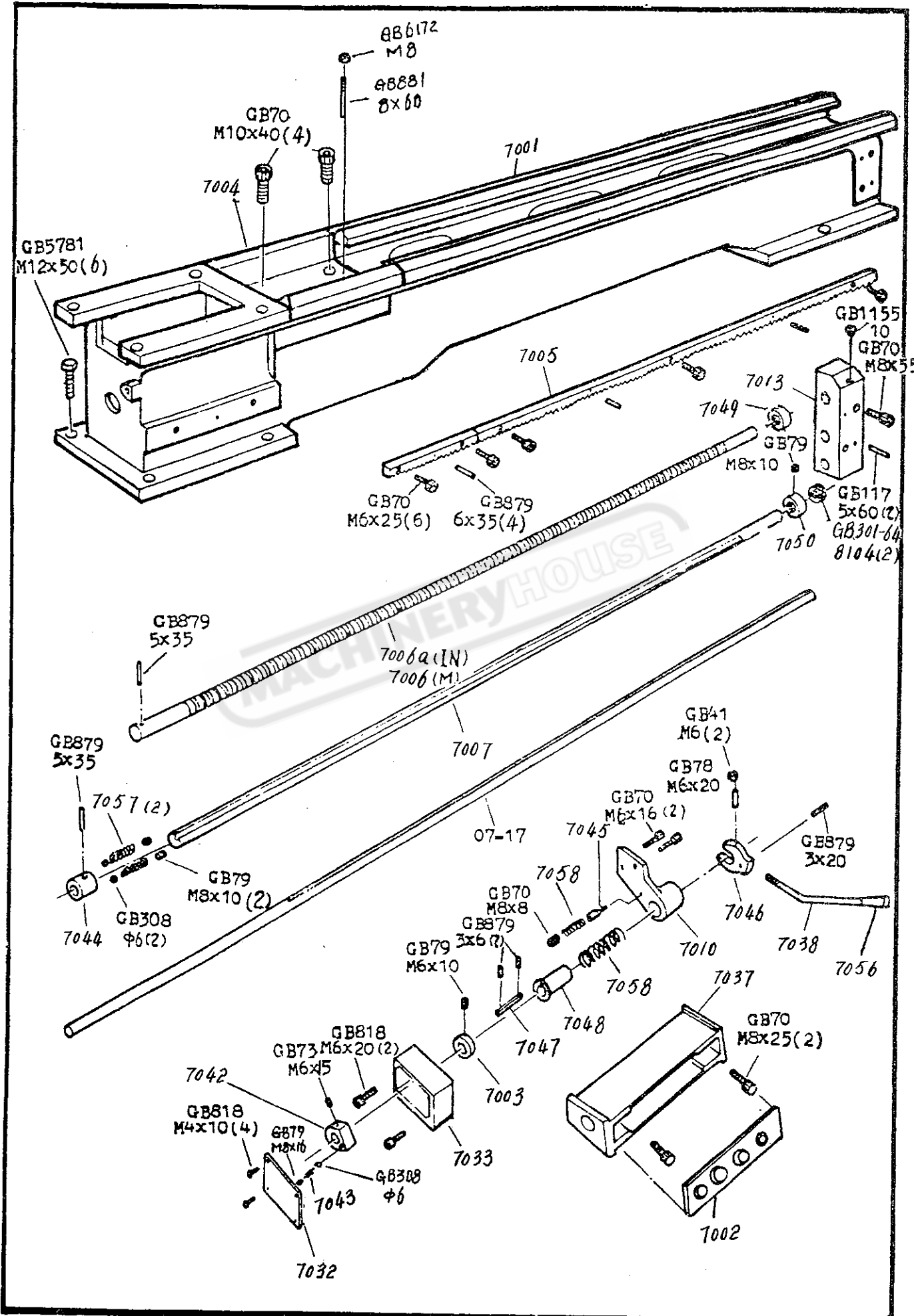
# TOP SLIDE, TOOL POST



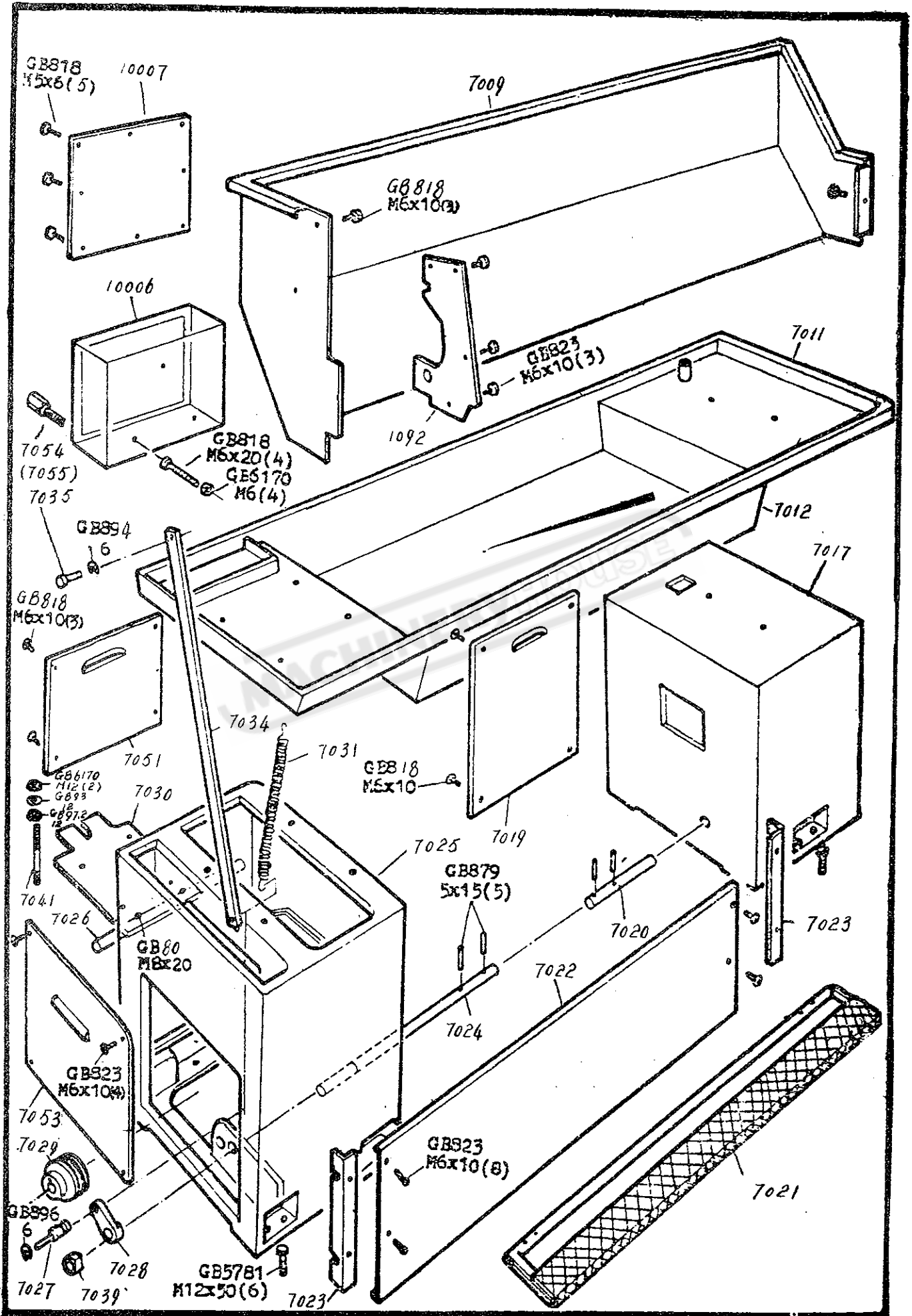
# TAIL STOCK



# BED & SHAFTS

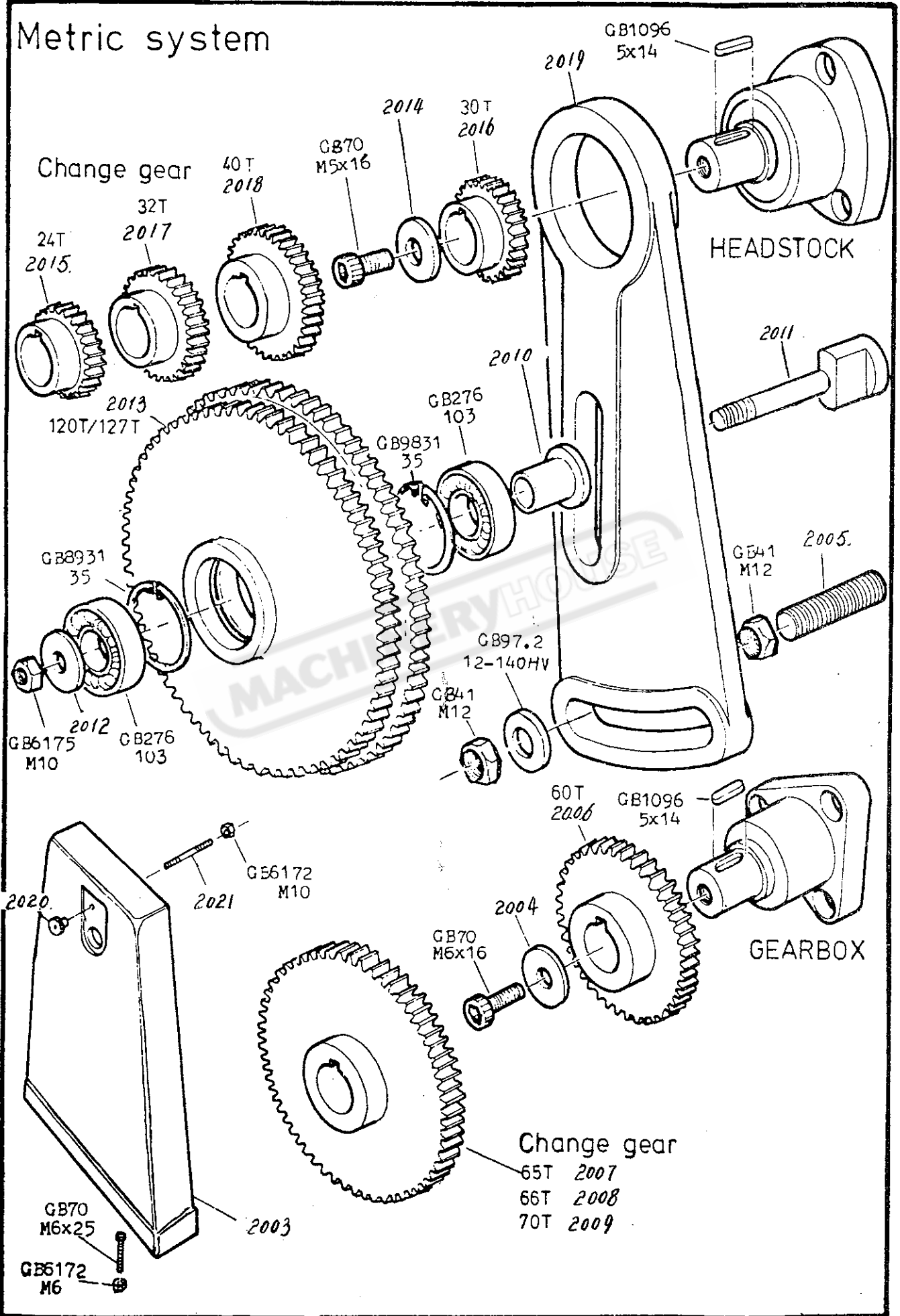


# CABINET & PANELS



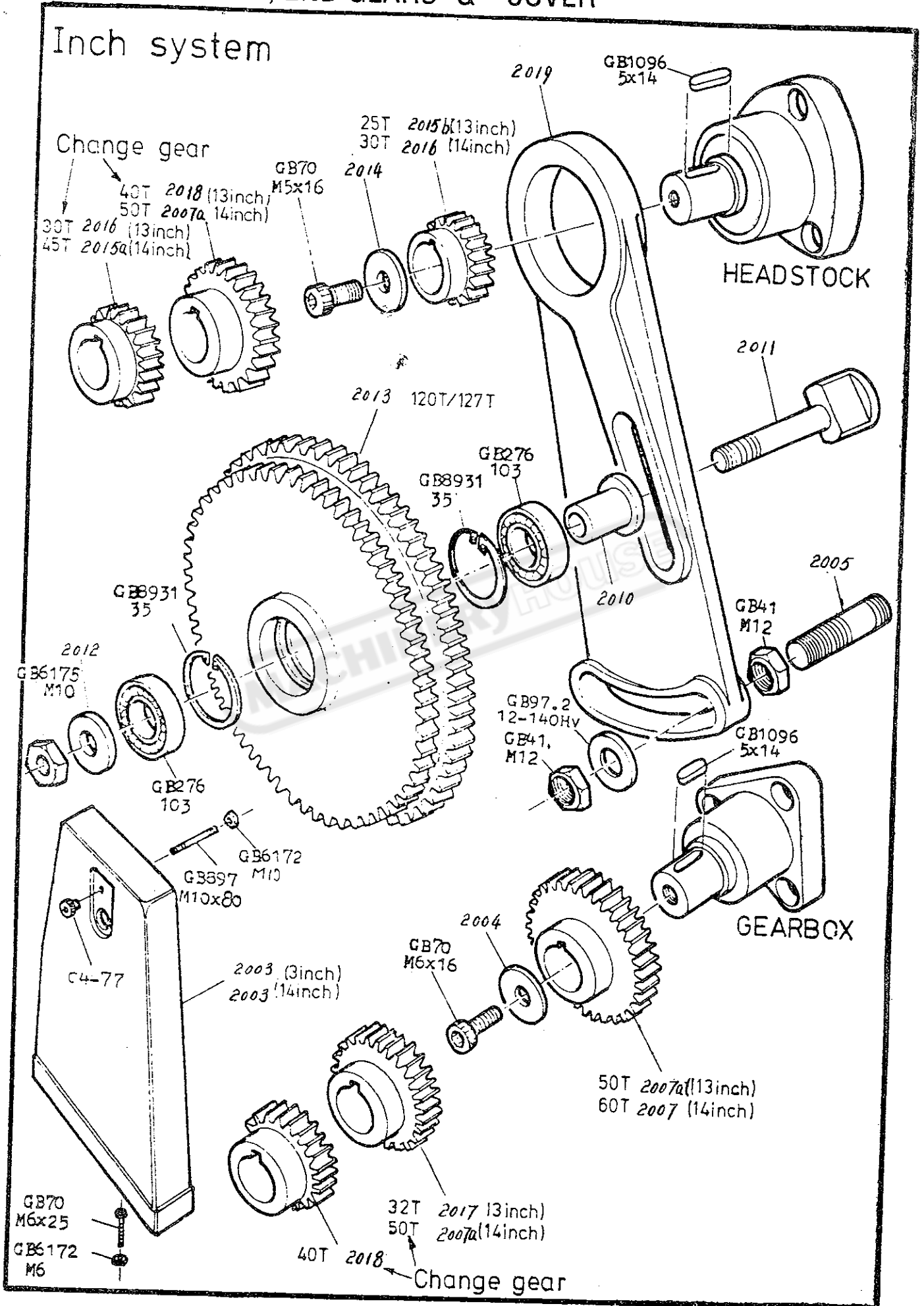
# SWING FRAME, END GEARS & COVER

## Metric system



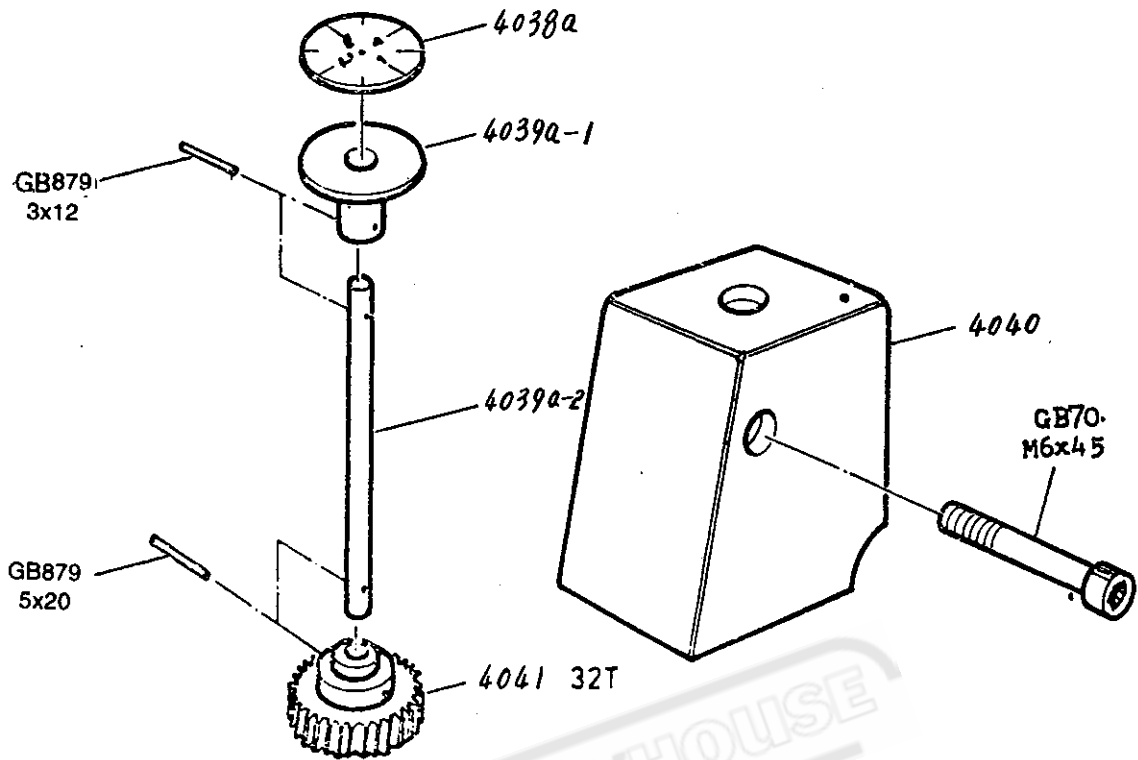
# SWING FRAME, END GEARS & COVER

## Inch system



# THREADING DIALS

## INCH



## MM

